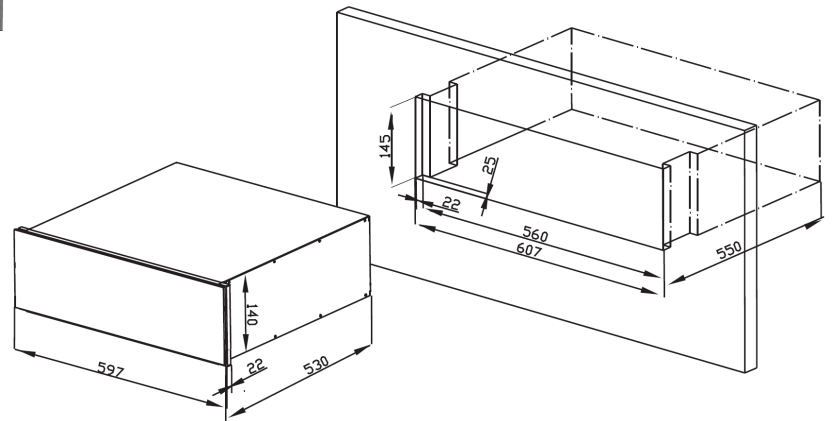
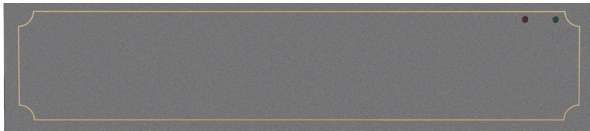


## PRODUCT SPECIFICATION



### **CWD145BP**

#### **WARMING DRAWER**

**600 x 145mm**

**PROVINCIAL**

**BLACK PROVINCIAL**

**145mm WARMING DRAWER**

|                        |  |
|------------------------|--|
| <b>FINISH</b>          | <ul style="list-style-type: none"> <li>• Black with gold detail</li> </ul>   |
| <b>DIMENSIONS</b>      | <ul style="list-style-type: none"> <li>• 597 x 140 x 530mm (Product)</li> <li>• 560 x 145 x 550mm (Cutout)</li> </ul>  |
| <b>CAPACITY</b>        | <ul style="list-style-type: none"> <li>• 6 place settings, 20kg max load</li> </ul>  |
| <b>STD ACCESSORIES</b> | <ul style="list-style-type: none"> <li>• Antislip mat</li> </ul>   |
| <b>FEATURES</b>        | <ul style="list-style-type: none"> <li>• Push and release drawer</li> <li>• Timer control (up to 120mins)</li> <li>• Adjustable temperature settings ( to 75°C)</li> <li>• Warms plates, cups, saucers up to 20kg load</li> <li>• Can be used to keep food warm or proof dough</li> <li>• Removable anti slip mat</li> <li>• Finger print resistant stainless steel</li> </ul> |
| <b>WARRANTY</b>        | <ul style="list-style-type: none"> <li>• 5 years*</li> </ul>   |

\*A period of 3 years parts and labour warranty from the date of purchase by the original purchaser; and an additional period of 2 years parts only warranty (a total of 5 years parts warranty from the date of purchase by the original purchaser)