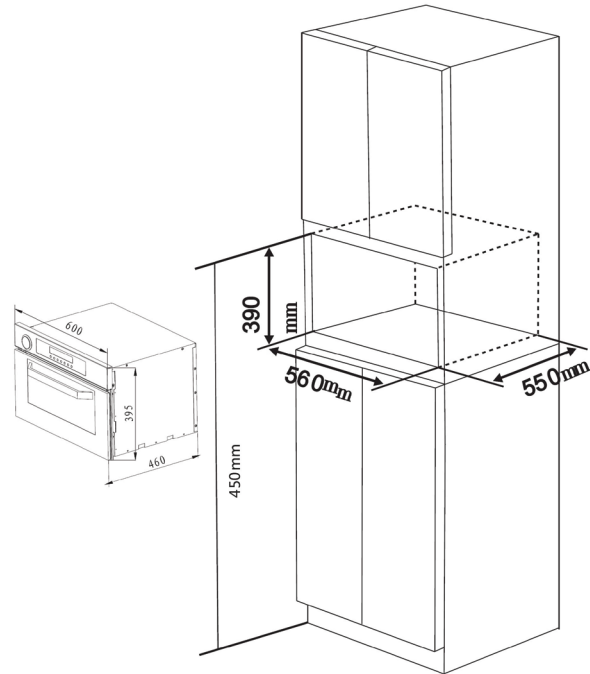


## PRODUCT SPECIFICATION



### CSO60WPC

#### STEAM OVEN PROVINCIAL

#### WHITE PROVINCIAL STEAM OVEN

<b>EXTERIOR FINISH</b>	<ul style="list-style-type: none"> <li>• White fascia with gold detailing</li> <li>• Black glass display and window</li> </ul>
<b>INTERIOR FINISH</b>	<ul style="list-style-type: none"> <li>• Full Stainless Steel</li> </ul>
<b>DIMENSIONS</b>	<ul style="list-style-type: none"> <li>• 600 x 395 x 460 (Product)</li> <li>• 560 x 390 x 550 (Cutout)</li> </ul>
<b>CAPACITY</b>	<ul style="list-style-type: none"> <li>• 33L</li> </ul>
<b>STD ACCESSORIES</b>	<ul style="list-style-type: none"> <li>• 2 x stainless steel racks</li> <li>• 1 x stainless steel perforated tray</li> <li>• 1 x stainless steel solid tray</li> </ul>
<b>LEVELS</b>	<ul style="list-style-type: none"> <li>• 3 levels</li> </ul>
<b>FEATURES</b>	<ul style="list-style-type: none"> <li>• Digital touch LED controls</li> <li>• Extra large oven capacity</li> <li>• Patented built-in water reservoir</li> <li>• Patented push in pop out filling mechanism</li> <li>• Water reservoir can be topped up during use</li> <li>• Warning alarm when reservoir is full or near empty</li> <li>• Over heating protection system</li> <li>• Auto shut off when oven door is opened</li> </ul>
<b>WARRANTY</b>	<ul style="list-style-type: none"> <li>• 5 years*</li> </ul>

