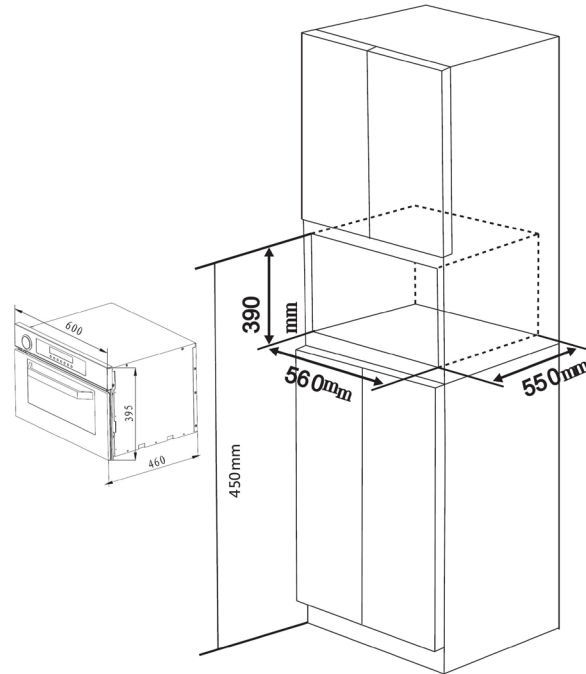


## PRODUCT SPECIFICATION



### CSO60SBC

#### STEAM OVEN CONTEMPORARY

#### CONTEMPORARY STEAM OVEN

<b>EXTERIOR FINISH</b>	<ul style="list-style-type: none"> <li>Finger print resistant Stainless Steel</li> <li>Black glass display and oven window</li> </ul>
<b>INTERIOR FINISH</b>	<ul style="list-style-type: none"> <li>Full Stainless Steel</li> </ul>
<b>DIMENSIONS</b>	<ul style="list-style-type: none"> <li>600 x 395 x 460mm (Product)</li> <li>560 x 390 x 550mm (Cutout)</li> </ul>
<b>CAPACITY</b>	<ul style="list-style-type: none"> <li>33L</li> </ul>
<b>STD ACCESSORIES</b>	<ul style="list-style-type: none"> <li>2 x stainless steel racks</li> <li>1 x stainless steel perforated tray</li> <li>1 x stainless steel solid tray</li> </ul>
<b>LEVELS</b>	<ul style="list-style-type: none"> <li>3 levels</li> </ul>
<b>FEATURES</b>	<ul style="list-style-type: none"> <li>Digital touch LED controls</li> <li>Extra large oven capacity</li> <li>Patented built-in water reservoir</li> <li>Patented push in pop out filling mechanism</li> <li>Water reservoir can be topped up during use</li> <li>Warning alarm when reservoir is full or near empty</li> <li>Over heating protection system</li> <li>Auto shut off when oven door is opened</li> </ul>
<b>WARRANTY</b>	<ul style="list-style-type: none"> <li>5 years*</li> </ul>

\*A period of 3 years parts and labour warranty from the date of purchase by the original purchaser; and an additional period of 2 years parts only warranty (a total of 5 years parts warranty from the date of purchase by the original purchaser)

