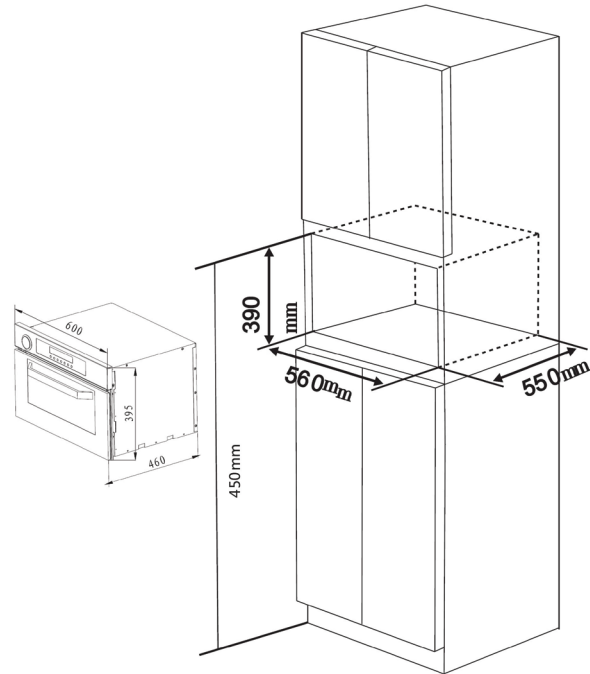


PRODUCT SPECIFICATION



CSO60BSC

STEAM OVEN PREGIO

PREGIO STEAM OVEN

EXTERIOR FINISH	<ul style="list-style-type: none"> Finger print resistant Stainless Steel Black glass display and oven window
INTERIOR FINISH	<ul style="list-style-type: none"> Full Stainless Steel
DIMENSIONS	<ul style="list-style-type: none"> 600 x 395 x 460mm (Product) 560 x 390 x 550mm (Cutout)
CAPACITY	<ul style="list-style-type: none"> 33L
STD ACCESSORIES	<ul style="list-style-type: none"> 2 x stainless steel racks 1 x stainless steel perforated tray 1 x stainless steel solid tray
LEVELS	<ul style="list-style-type: none"> 3 levels
FEATURES	<ul style="list-style-type: none"> Digital touch LED controls Extra large oven capacity Patented built-in water reservoir Patented push in pop out filling mechanism Water reservoir can be topped up during use Warning alarm when reservoir is full or near empty Over heating protection system Auto shut off when oven door is opened
WARRANTY	<ul style="list-style-type: none"> 5 years*

*A period of 3 years parts and labour warranty from the date of purchase by the original purchaser; and an additional period of 2 years parts only warranty (a total of 5 years parts warranty from the date of purchase by the original purchaser)

