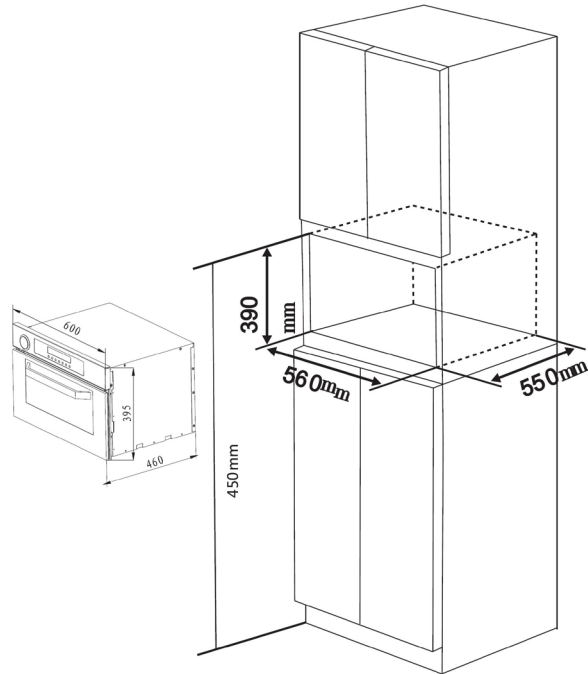


## PRODUCT SPECIFICATION



### CSO60BPC

#### STEAM OVEN PROVINCIAL

#### BLACK PROVINCIAL STEAM OVEN

|                        |   |
|------------------------|---|
| <b>EXTERIOR FINISH</b> | <ul style="list-style-type: none"> <li>• Full black glass door and display panel</li> </ul>   |
| <b>INTERIOR FINISH</b> | <ul style="list-style-type: none"> <li>• Full Stainless Steel</li> </ul>  |
| <b>DIMENSIONS</b>      | <ul style="list-style-type: none"> <li>• 600 x 395 x 460 (Product)</li> <li>• 560 x 390 x 550 (Cutout)</li> </ul>   |
| <b>CAPACITY</b>        | <ul style="list-style-type: none"> <li>• 33L</li> </ul>   |
| <b>STD ACCESSORIES</b> | <ul style="list-style-type: none"> <li>• 2 x stainless steel racks</li> <li>• 1 x stainless steel perforated tray</li> <li>• 1 x stainless steel solid tray</li> </ul>  |
| <b>LEVELS</b>          | <ul style="list-style-type: none"> <li>• 3 levels</li> </ul>  |
| <b>FEATURES</b>        | <ul style="list-style-type: none"> <li>• Digital touch LED controls</li> <li>• Extra large oven capacity</li> <li>• Patented built-in water reservoir</li> <li>• Patented push in pop out filling mechanism</li> <li>• Water reservoir can be topped up during use</li> <li>• Warning alarm when reservoir is full or near empty</li> <li>• Over heating protection system</li> <li>• Auto shut off when oven door is opened</li> </ul> |
| <b>WARRANTY</b>        | <ul style="list-style-type: none"> <li>• 5 years*</li> </ul>  |

\*A period of 3 years parts and labour warranty from the date of purchase by the original purchaser; and an additional period of 2 years parts only warranty (a total of 5 years parts warranty from the date of purchase by the original purchaser)