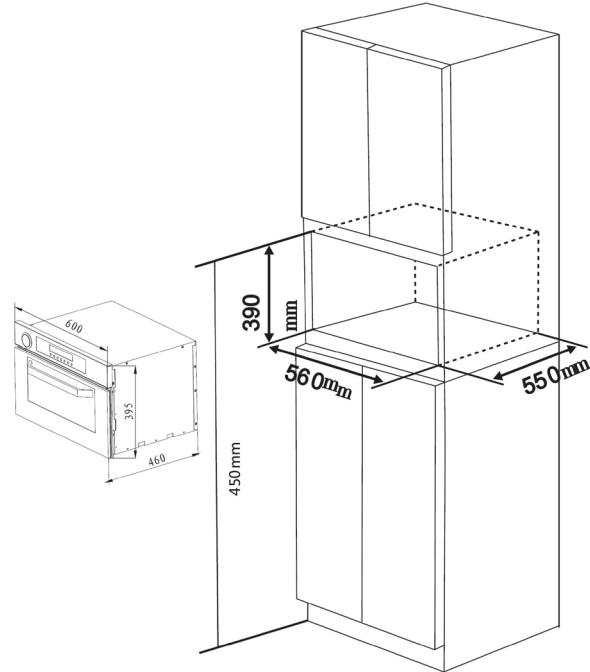
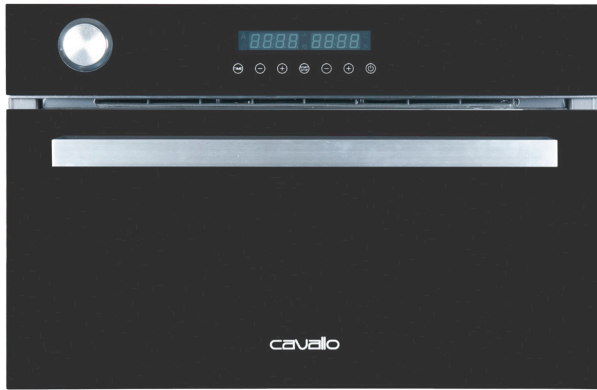


PRODUCT SPECIFICATION



CSO60BBC

STEAM OVEN ONYX

ONYX STEAM OVEN

EXTERIOR FINISH	<ul style="list-style-type: none"> • Full black glass door and display panel
INTERIOR FINISH	<ul style="list-style-type: none"> • Full Stainless Steel
DIMENSIONS	<ul style="list-style-type: none"> • 600 x 395 x 460 (Product) • 560 x 390 x 550 (Cutout)
CAPACITY	<ul style="list-style-type: none"> • 33L
STD ACCESSORIES	<ul style="list-style-type: none"> • 2 x stainless steel racks • 1 x stainless steel perforated tray • 1 x stainless steel solid tray
LEVELS	<ul style="list-style-type: none"> • 3 levels
FEATURES	<ul style="list-style-type: none"> • Digital touch LED controls • Extra large oven capacity • Patented built-in water reservoir • Patented push in pop out filling mechanism • Water reservoir can be topped up during use • Warning alarm when reservoir is full or near empty • Over heating protection system • Auto shut off when oven door is opened
WARRANTY	<ul style="list-style-type: none"> • 5 years*

*A period of 3 years parts and labour warranty from the date of purchase by the original purchaser; and an additional period of 2 years parts only warranty (a total of 5 years parts warranty from the date of purchase by the original purchaser)

