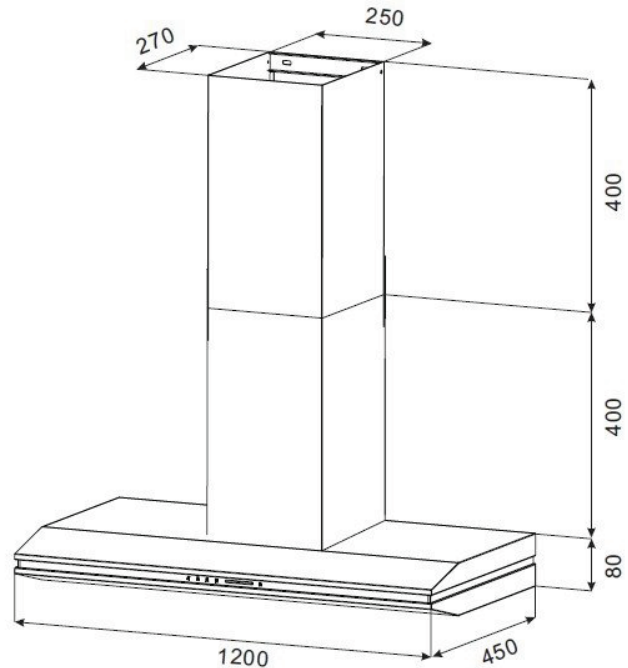


## PRODUCT SPECIFICATION



### CRHD121

#### RANGEHOOD

1200mm

#### ISLAND HOODS

AERO 1200mm ISLAND

<b>FINISH</b>	<ul style="list-style-type: none"> <li>Stainless steel chassis</li> </ul>
<b>DIMENSIONS</b>	<ul style="list-style-type: none"> <li>1200 x 515mm</li> </ul>
<b>MOTOR</b>	<ul style="list-style-type: none"> <li>Aluminium motor</li> </ul>
<b>CONTROLS</b>	<ul style="list-style-type: none"> <li>Touch control</li> </ul>
<b>FEATURES</b>	<ul style="list-style-type: none"> <li>Air flow up to 989m<sup>3</sup>/hr</li> <li>Noise level &lt;59db</li> <li>380W motor</li> <li>LED lights</li> <li>Dual mode (Ducted and Re-circulating mode)</li> <li>Aluminium filter</li> <li>Charcoal filters optional</li> </ul>
<b>WARRANTY</b>	<ul style="list-style-type: none"> <li>5 years*</li> </ul>

\*A period of 3 years parts and labour warranty from the date of purchase by the original purchaser; and an additional period of 2 years parts only warranty (a total of 5 years parts warranty from the date of purchase by the original purchaser)