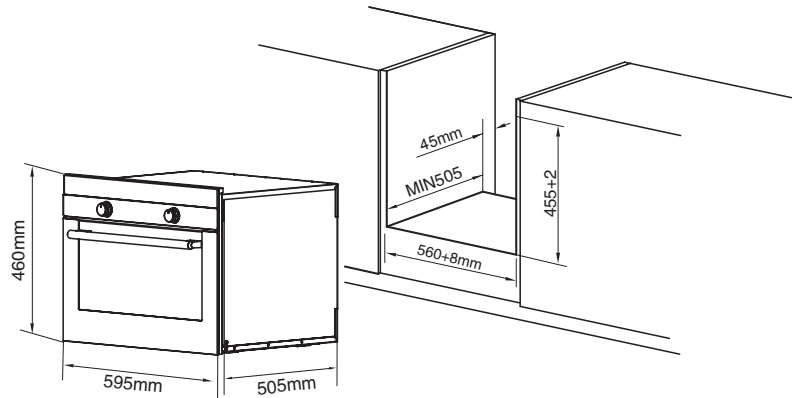


## PRODUCT SPECIFICATION



### CMO60SBG

#### MICROWAVE COMBI CONTEMPO

#### CONTEMPO MICROWAVE COMBI

<b>EXTERIOR FINISH</b>	<ul style="list-style-type: none"> <li>• Finger print resistant Stainless Steel</li> <li>• Black glass display and oven window</li> </ul>
<b>INTERIOR FINISH</b>	<ul style="list-style-type: none"> <li>• Full Stainless Steel</li> </ul>
<b>DIMENSIONS</b>	<ul style="list-style-type: none"> <li>• 460 x 595 x 555 (Product)</li> <li>• 455 x 560 x 550 (Cutout)</li> </ul>
<b>CAPACITY</b>	<ul style="list-style-type: none"> <li>• 34L</li> </ul>
<b>STD ACCESSORIES</b>	<ul style="list-style-type: none"> <li>• 1 x glass turntable</li> <li>• 1 x grill rack</li> <li>• 1 x baking tray</li> </ul>
<b>SHELVES</b>	<ul style="list-style-type: none"> <li>• 3 levels</li> </ul>
<b>FEATURES</b>	<ul style="list-style-type: none"> <li>• 900W Microwave</li> <li>• Convection function</li> <li>• Grill function</li> <li>• Programmable Microwave + Convection/Grill</li> <li>• 9 pre-programmed cooking functions</li> <li>• Programmable timer</li> <li>• Child lock</li> <li>• Tangential cooling fan</li> <li>• Over heating protection system</li> </ul>
<b>WARRANTY</b>	<ul style="list-style-type: none"> <li>• 5 years*</li> </ul>

\*A period of 3 years parts and labour warranty from the date of purchase by the original purchaser; and an additional period of 2 years parts only warranty (a total of 5 years parts warranty from the date of purchase by the original purchaser)

