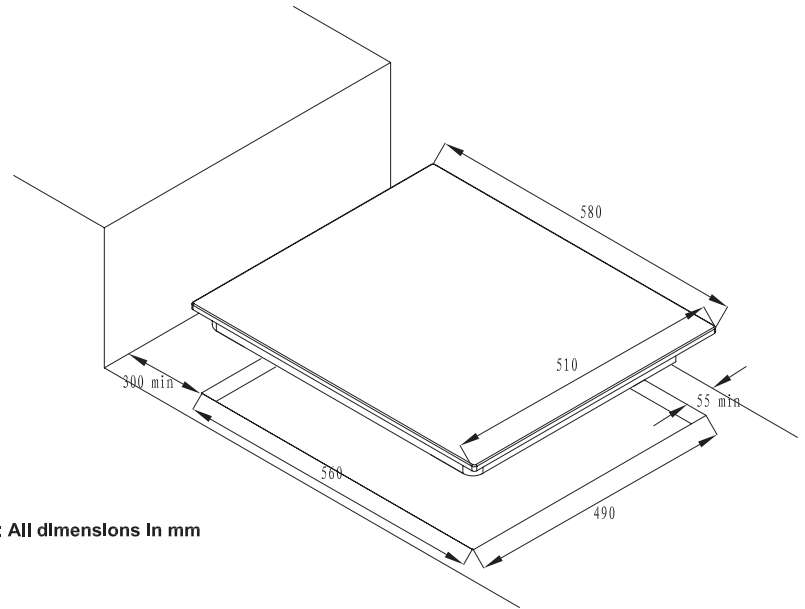


PRODUCT SPECIFICATION



Note : All dimensions in mm

**C621TVC**

**COOKTOP**

**600mm**

**CERAMIC**

**VITROCERAMIC 600mm COOKTOP**

<b>FINISH</b>	• Vitreoceramic glass top	
<b>DIMENSIONS</b>	• 580 x 510mm (Product) • 560 x 490mm (Cutout)	
<b>POWER CONX</b>	• 30amp hard wired	
<b>ZONES</b>	• Ø 130mm / Ø 230mm • Ø 165mm / Ø 165 x 250mm • Ø 165mm x 2	1.0kW / 2.2kW 1.1kW / 2.0kW 1.2kW
<b>CONTROLS</b>	• Digital touch controls	
<b>FEATURES</b>	• 2 x expandable zones • Variable 9 stage power setting for each zone • Auto off timer • Residual heat indicators • Dual Overheating protection • Child safety lock	
<b>WARRANTY</b>	• 5 years*	

\*A period of 3 years parts and labour warranty from the date of purchase by the original purchaser; and an additional period of 2 years parts only warranty (a total of 5 years parts warranty from the date of purchase by the original purchaser)

